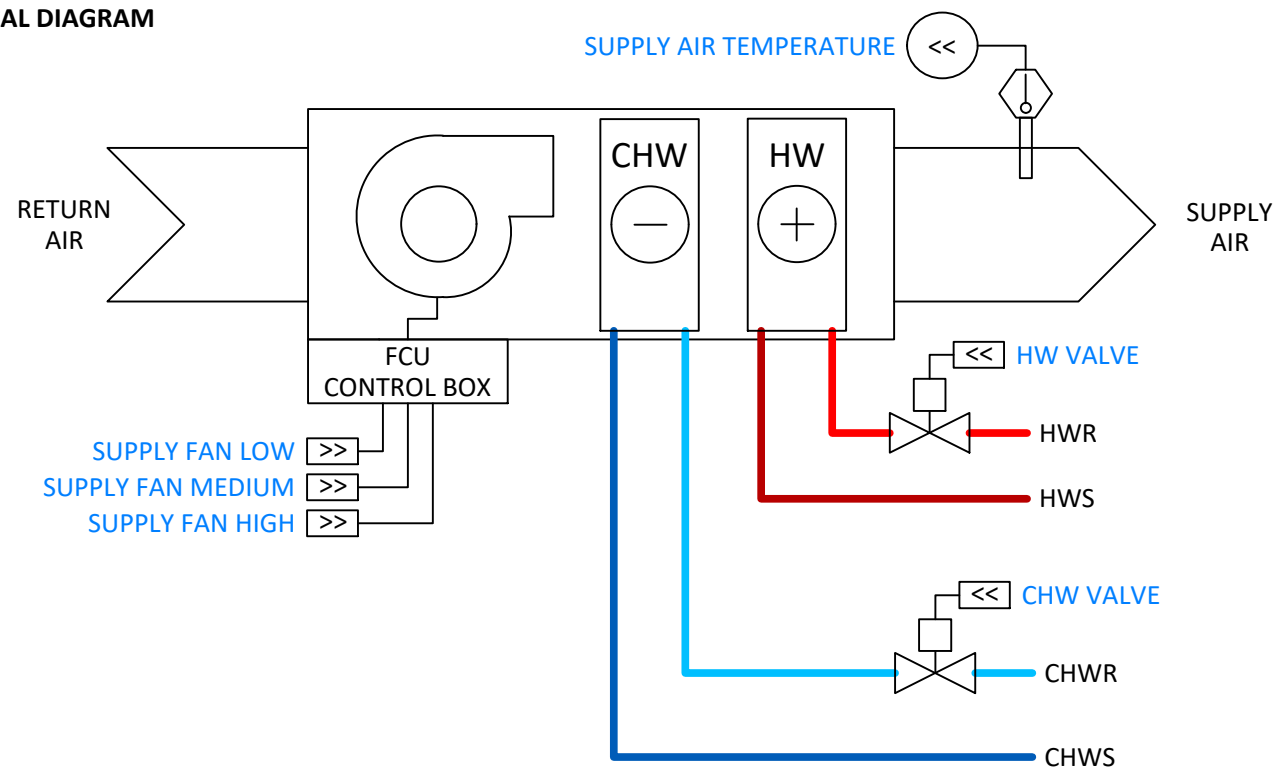
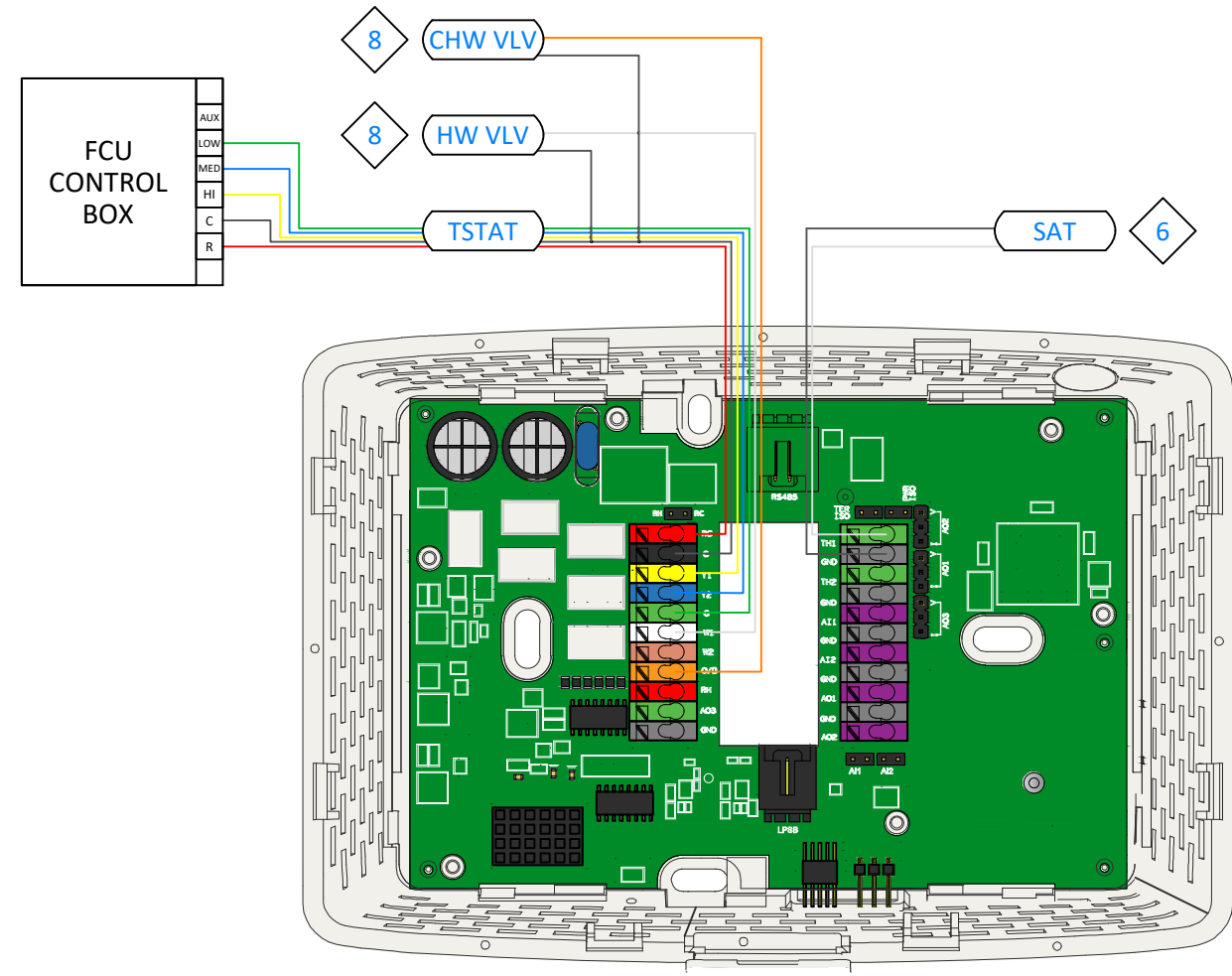


**X.1 - LOGICAL DIAGRAM**



**X.2 - POINTS LIST**

HYPERSTAT					
DESCRIPTION	POINT	TAG	DEVICE RANGE	MFG	PART #
SPARE	AI1		0-10VDC		
SPARE	AI2		0-10VDC		
SUPPLY AIR TEMPERATURE	TH1	SAT	°F (10K TYPE II)	75F	3X-SE-C31X-X
SPARE	TH2		10K TYPE II OR DIGITAL		
SUPPLY FAN MEDIUM	Y1	TSTAT	CC = FAN MEDIUM		
SUPPLY FAN HIGH	Y2	TSTAT	CC = FAN HIGH		
SUPPLY FAN LOW	G1	TSTAT	CC = FAN LOW		
HW VALVE	W1	HW VLV	CC = VALVE OPEN		
SPARE	W2		WET CONTACT		
CHW VALVE	O/B	CHW VLV	CC = VALVE OPEN		
SPARE	AO1		0-10VDC		
SPARE	AO2		0-10VDC		
SPARE	AO3		0-10VDC		
POWER IN	R	TSTAT	24VAC (FROM UNIT)		
SPARE	RTS		3-PIN CONNECTOR		
SPARE	RS485		4-PIN CONNECTOR		



**X.4 - SEQUENCE OF OPERATION**

THE FAN COIL UNIT (FCU) IS A WEIGHTED AVERAGE OF ONLY ONE ZONE.

**HEATING/COOLING**

- UPON OCCUPANCY, THE SUPPLY FAN WILL BE ENABLED.
- THE CHW VALVE WILL MODULATE OPEN TO MAINTAIN SUPPLY AIR TEMPERATURE SETPOINT WHEN THE CURRENT TEMPERATURE RISES ABOVE THE COOLING SETPOINT (72°F, ADJ.). THE CHW VALVE WILL MODULATE CLOSE WHEN THE CURRENT TEMPERATURE FALLS AT LEAST 0.5°F BELOW THE COOLING SETPOINT.
- THE HW VALVE WILL MODULATE OPEN TO MAINTAIN SUPPLY AIR TEMPERATURE SETPOINT WHEN THE CURRENT TEMPERATURE FALLS BELOW THE HEATING SETPOINT (68°F, ADJ.). THE HW VALVE WILL MODULATE CLOSE WHEN THE CURRENT TEMPERATURE RISES AT LEAST 0.5°F ABOVE THE HEATING SETPOINT.

**75F COMMISSIONING NOTES**

- THE SYSTEM PROFILE WILL BE SET TO '4-PIPE FCU'.
- ENABLE: RELAY 3 (G), RELAY 4 (W1), RELAY 5 (W1), ANALOG OUTPUT (AO1), ANALOG OUTPUT (AO2) AND TH1.